

Sell Sheet WB-1251 WB-1252

WASTE SEPARATION BASKET

A compact selective waste solution for desk sides in hospitality and office environments. 4 variants available : Satin stainless steel & black metal epoxy, with 3 black or 3 coloured liners.

WB-1251-BLA



WB-1251-SSSTL



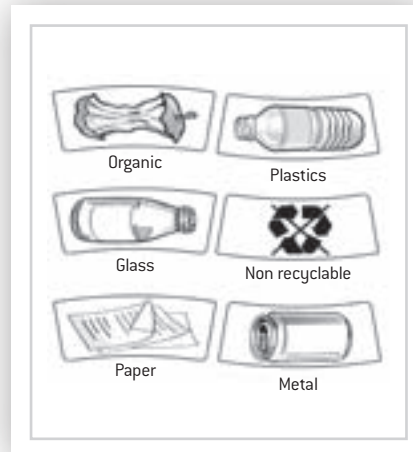
WB-1252-BLA



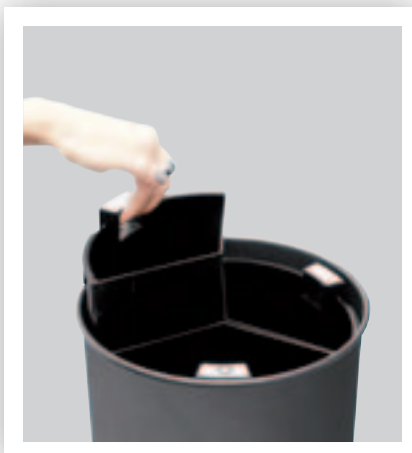
WB-1252-SSSTL



Unique design allowing waste separation of small waste.



Waste identification on compartment handles with pictogram stickers 6 stickers delivered with each unit : Paper/ Plastics/ Metal/ Organic/ Glass/ Non recyclable.



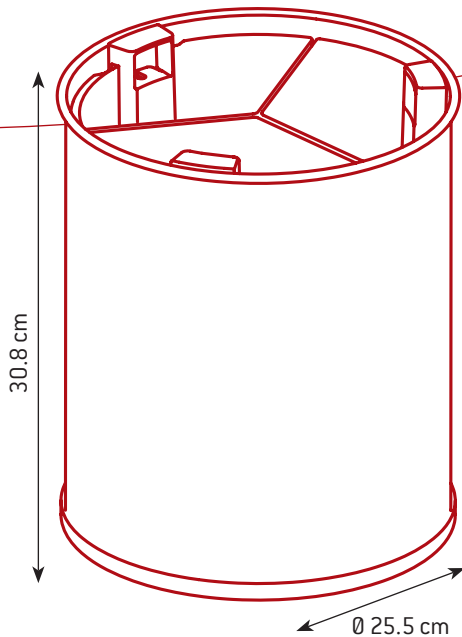
Easily removable using integrated handles.



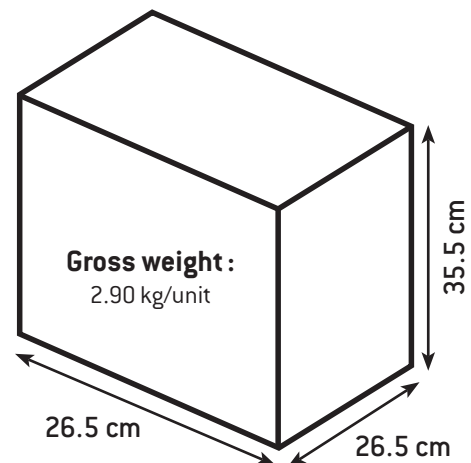
3 liners of 3 L capacity can be used with 5L disposable liners.

Technical Sheet WB-1251 WB-1252

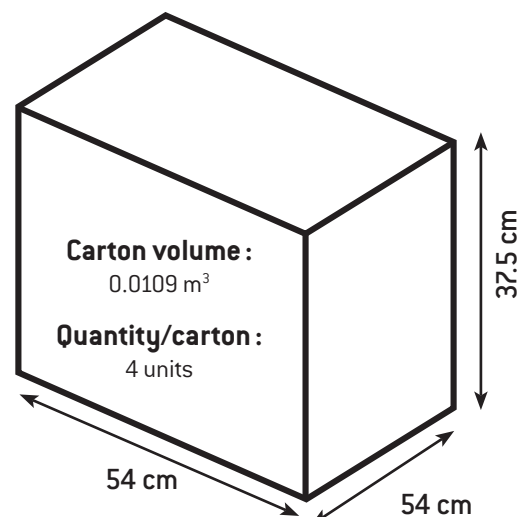
WASTE SEPARATION BASKET



GIFT BOX SPECIFICATIONS



CARTON SPECIFICATIONS



Product and EAN codes :

WB-1251-BLA: 4897020624424

WB-1251-SSSTL: 4897020624431

WB-1252-BLA: 4897020624516

WB-1252-SSSTL: 4897020624509

Materials and Colours :

- WB-1251-BLA: Epoxy black bin with PP black, yellow and blue liners
- WB-1251-SSSTL: Satin stainless steel bin with PP black, yellow and blue liners
- WB-1252-BLA: Epoxy black bin with PP black liners
- WB-1252-SSSTL: Satin stainless steel bin with PP black liners

Capacity :

Bin : 13 L

Removable liners : 3 x 3 L

Product net weight :

2.36 kg/unit

Product dimensions :

(L) 25.5 x (W) 25.5 x (H) 30.8 cm